

FJ-315-L

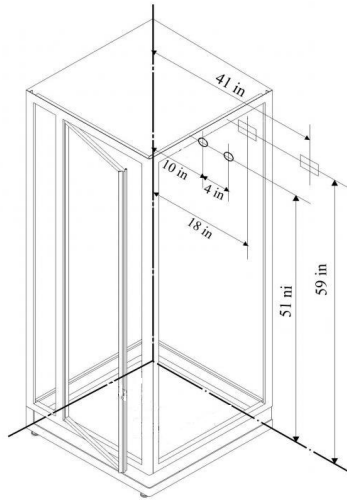


FEATURES

- Factory tested
- Left/Right Models Available
- Corner Unit
- Matte Finish
- Towel Hook
- Steam Aromatherapy Cup
- Accessory Rack
- Mirror
- Rainfall Shower
- Hand-held Shower w/ Height-adjustable Bracket
- Molded seat
- Pressure Balance Valve (optional extra)
- Swinging Door
- Quartz Lamp
- Tempered Glass
- Self-Cleaning Steam Generator

TECHNICAL INFORMATION

- **Materials:** Acrylic, Tempered Glass
- **Power Supply:** 220V, 3KW
- **Steam Ready:** 5 MIN
- **Dimensions:** 33 x 33 x 84 IN



PLUMBING REQUIRMENTS

- The unit is equipped with hot and cold, metal braided ½ inch water supply hose with ½ national pipe thread.
- Need to install hot and cold shutoffs with ½ -male national pipe thread (not included).
- Supply hoses are to connect from the faucet manifold on the unit to the shutoff valves.
- All fixtures and fittings should be checked for tightness as they may have been loosened during transport

ELECTRICAL REQUIREMENTS

- Steam box- 3 KW
- 1 dedicated 12-3 line for steam box (line 1, line 2, and ground and neutral)
- 220 volt, 20 amp GFCI breakers
- There is a length of wire from the steam box supplied to connect to 220 line (this can be hard wired in a box or add plug and outlet).

GENERAL INFORMATION

- Units come broken down in panels and are assembled with screws, nuts and bolts on site. All seams to be caulked with 100% silicone at room temperature. (no latex caulking)
- **Note:** All shower bases need to be leveled in its final resting position, mark the placement, then pull base out and begin assembly.
- It is advised to have base onsite before preparing drain location. **Manufacturer reserves the right to change specs or features at anytime. Please check to confirm details. 1-866-783-2661**

FJ-315-L



FJ-315-R

