

HY-07



FEATURES

- Outward Swinging Waterproof walk-in door
- Comfortable deep molded seat and luxurious head rest pillow
- Available in Left and Right
- Comfortable arm support
- Easy installation (4-6 hours)
- Free Standing or Built in
- Matte finish
- Safety grab bar
- Accessory rack
- Hand held shower
- Molded seat
- Thermostatic valve
- Interior access panel
- Drain access panel
- Left/Right Models Available
- Factory tested

Available in three versions:

HY-1107 - with water pump, in-line heater, all whirlpool tub features

HY-1207 - with heating air-pump

HY-1307 - simple soaking tub

Optional Surround set available (Mod. HY-07-F)



Surround is Optional

TECHNICAL INFORMATION

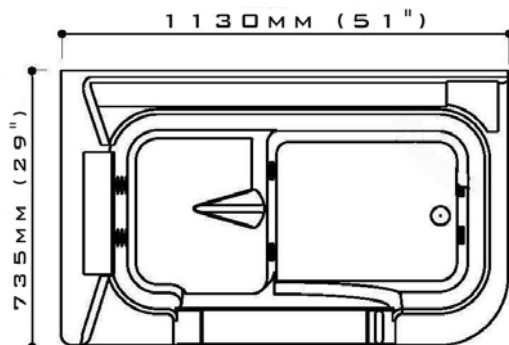
- **Materials:** Acrylic composite
- **Power Supply:** 110V
- **Dimensions:** 29x51x42
- **Water Usage:** 50-55 gallons

PLUMBING REQUIRMENTS

- Unit is equipped with flexible, metal braided ½ inch water supply hose with ½ female threaded connectors
- Need to install hot and cold shutoffs with ½ male threaded nipples (not included)
- 1-1/2 drain with 90 degree angle
- **Thermostatic valve may need to be recalibrated**
- It is advised to have tub onsite before preparing drain location.

ELECTRICAL REQUIREMENTS FOR HEATED AIR PUMP

- Air jet motor with heater 110 volt
- 12-2 wire with 110 volt, 15-20 amp GFCI breaker



ELECTRICAL REQUIREMENTS FOR SYLLENT BRAND PUMP

- 3/4 HP water pump with heater
- 12-2 wire with 110 volt, 20 amp GFCI breaker

GENERAL INFORMATION

- **Note:** It is advised to have the tub onsite before preparing drain location.
- Unit **must** be leveled in its permanent position and all feet must be on the ground to fully support the tub

HY-07-L



HY-07-R

