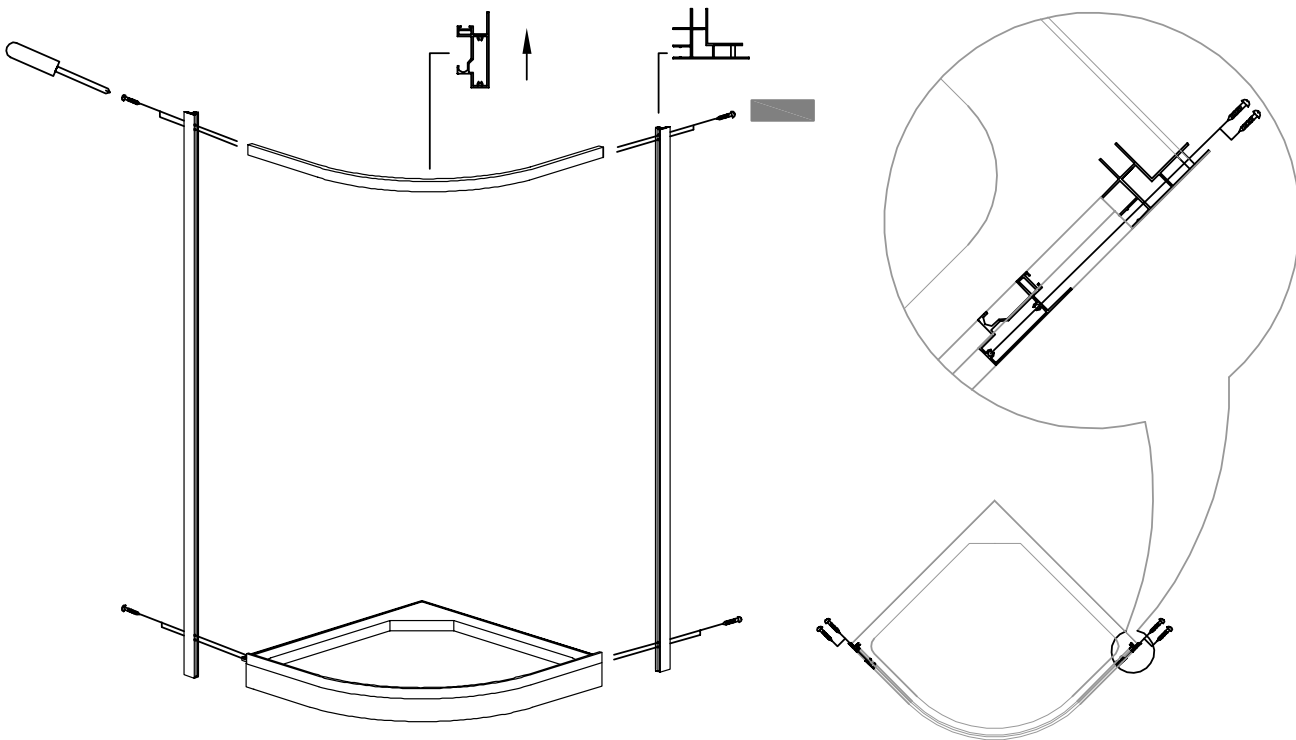
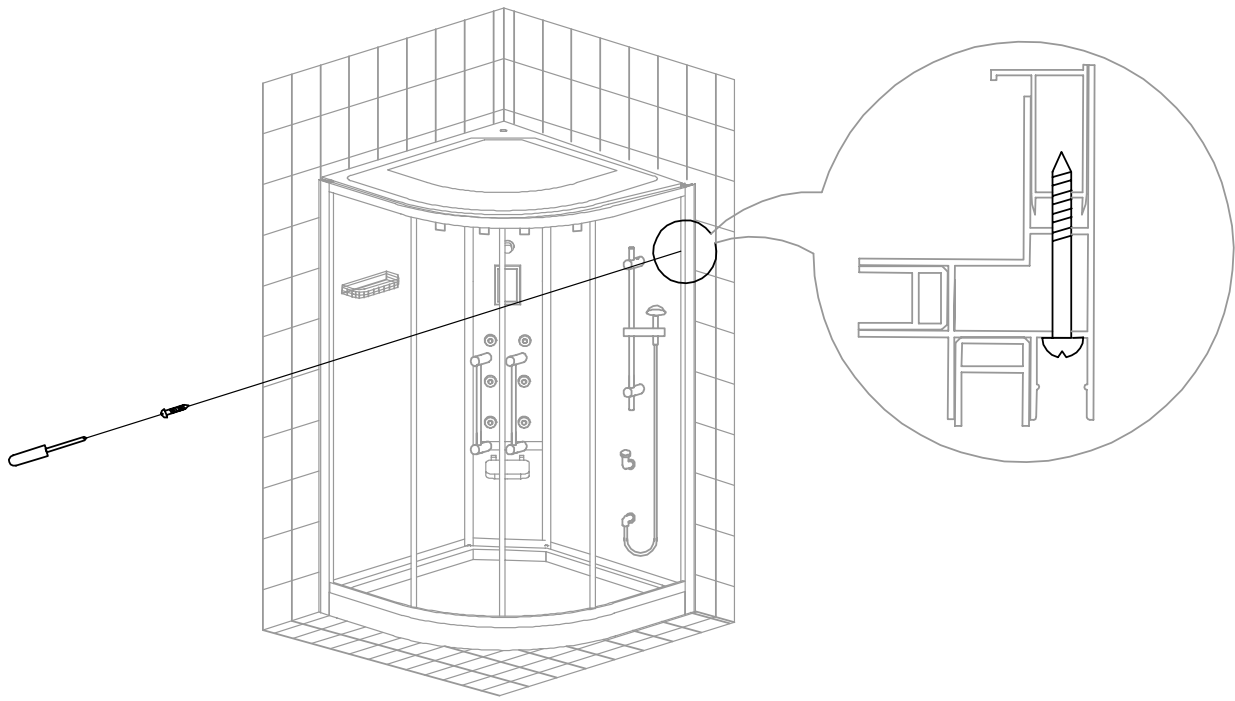


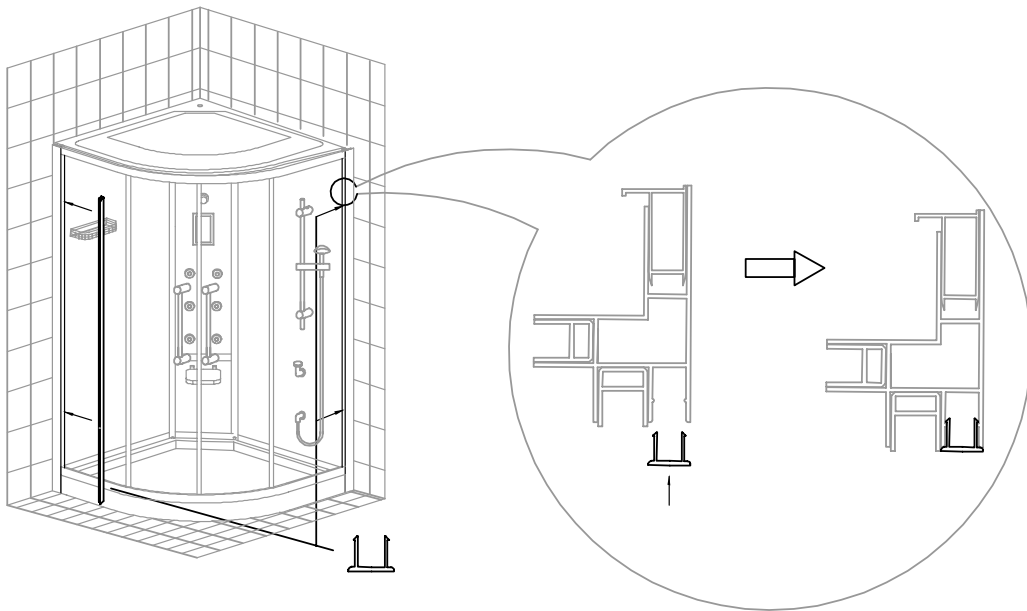
1. Adjust the tray to horizontal level.



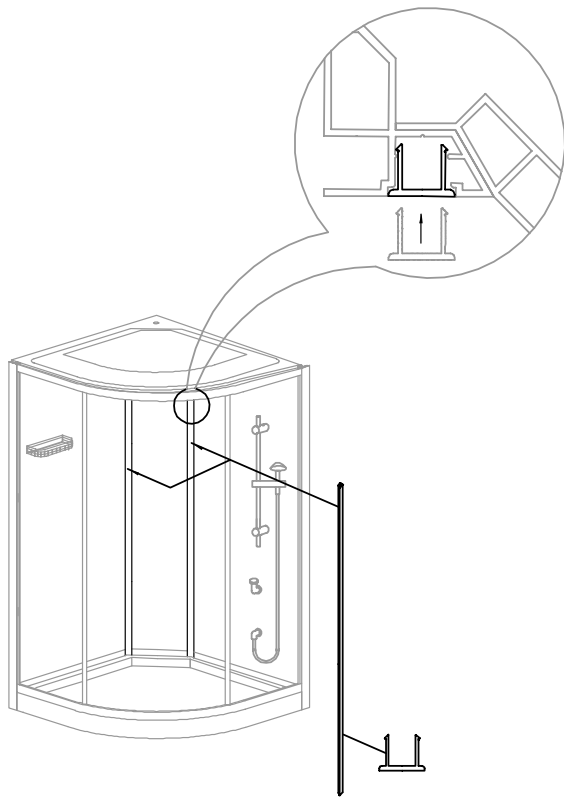
2. Install the door frame to the tray.



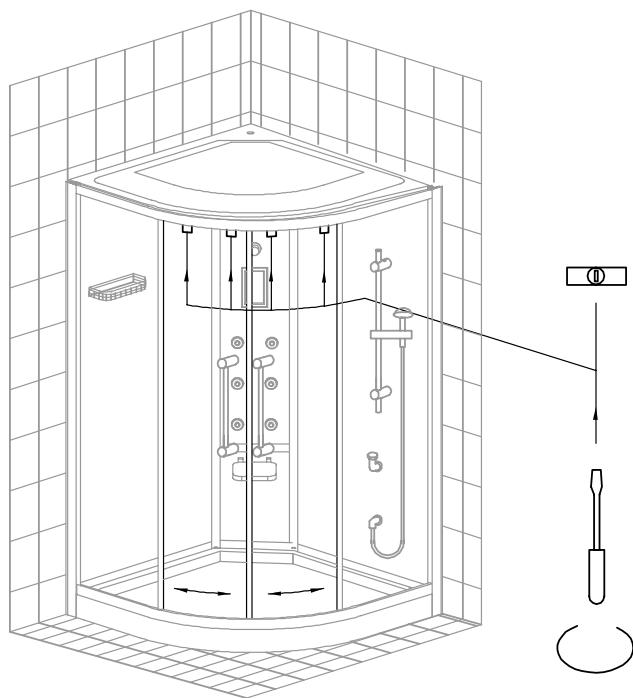
13. Fix the door frame.



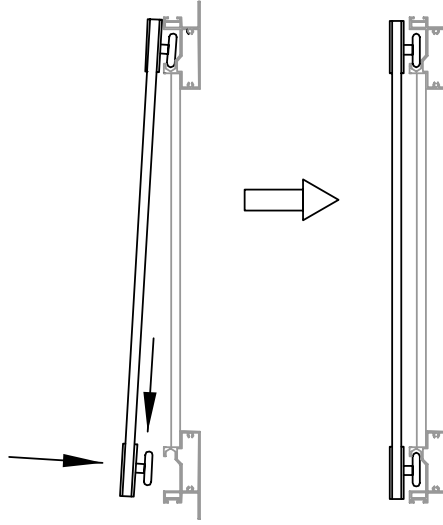
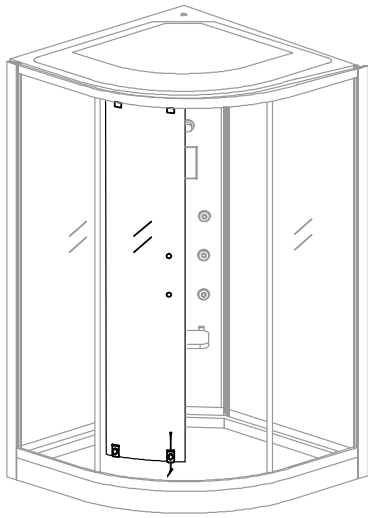
14. Put in the inset aluminum profile of the door frame.



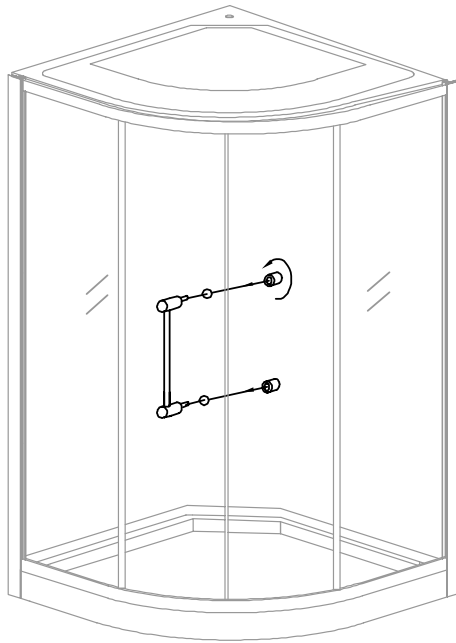
11. Put in the inset aluminum profile.



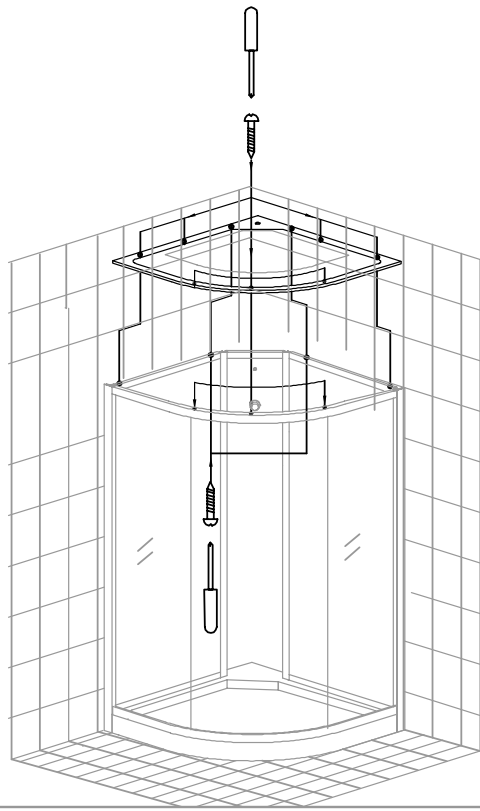
12. Adjust the sliding doors so that they close well.



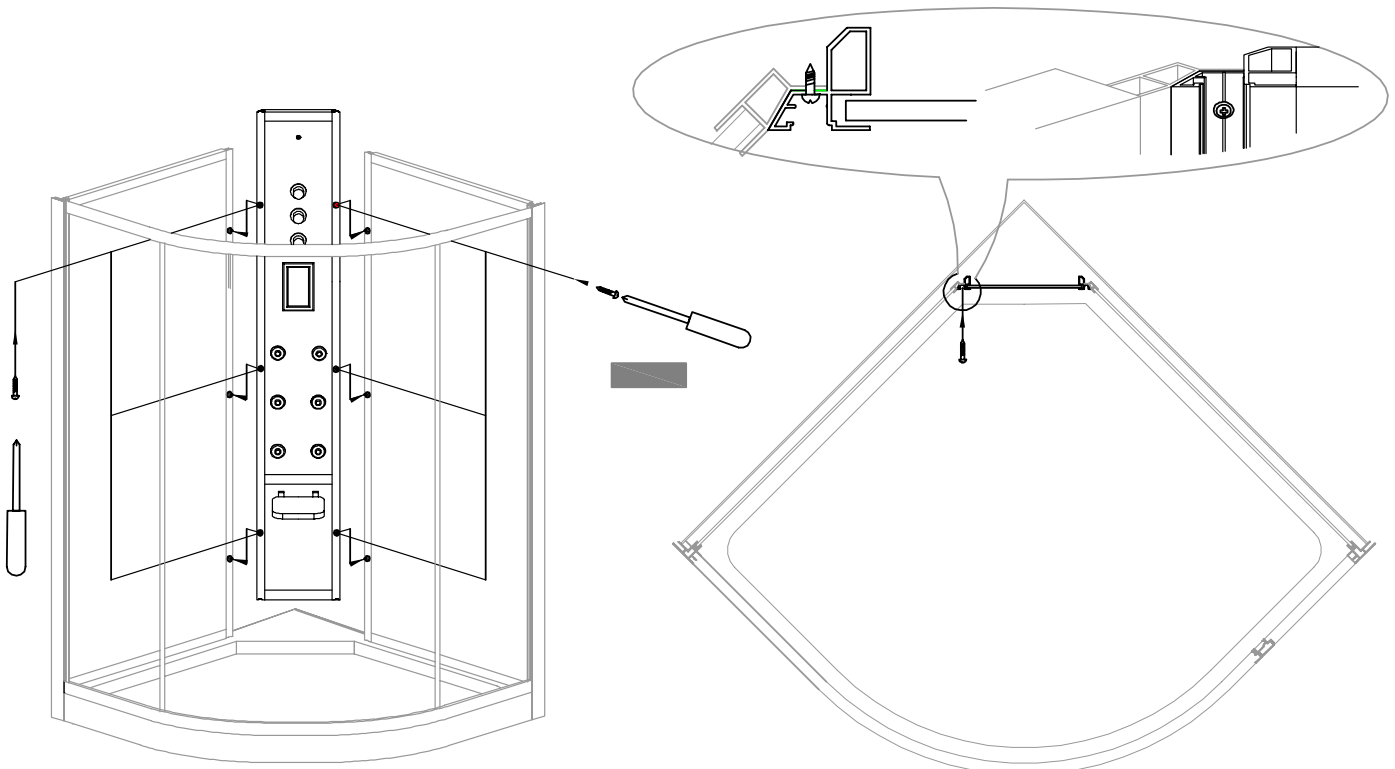
9. Install sliding doors.



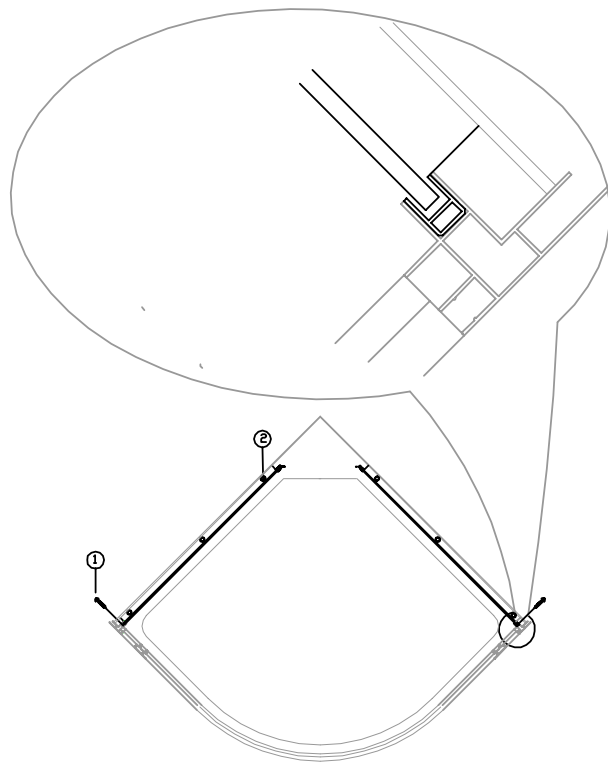
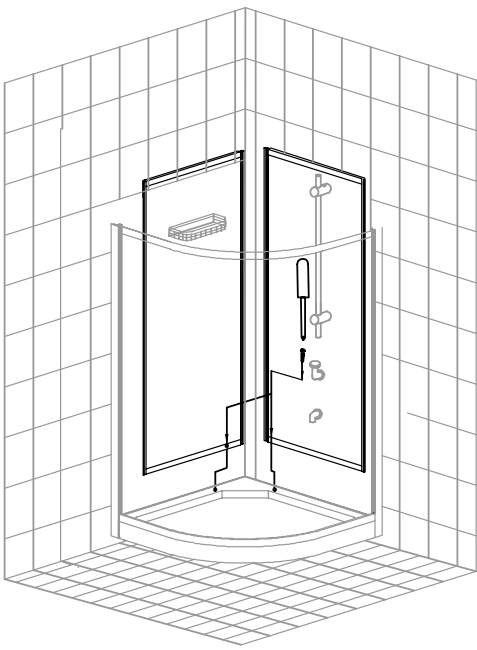
10. Install door handles.



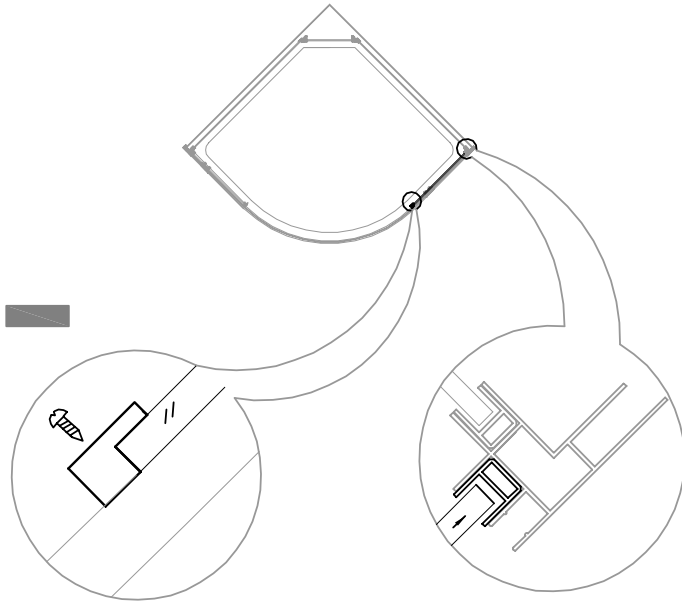
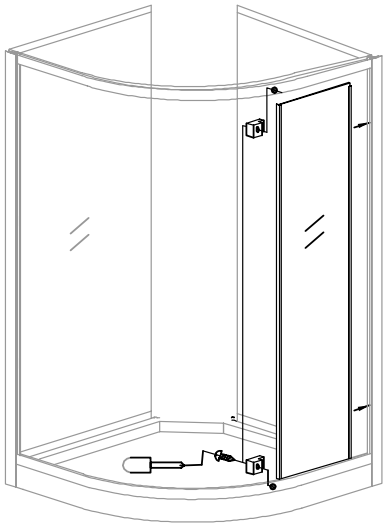
7. Install cover.



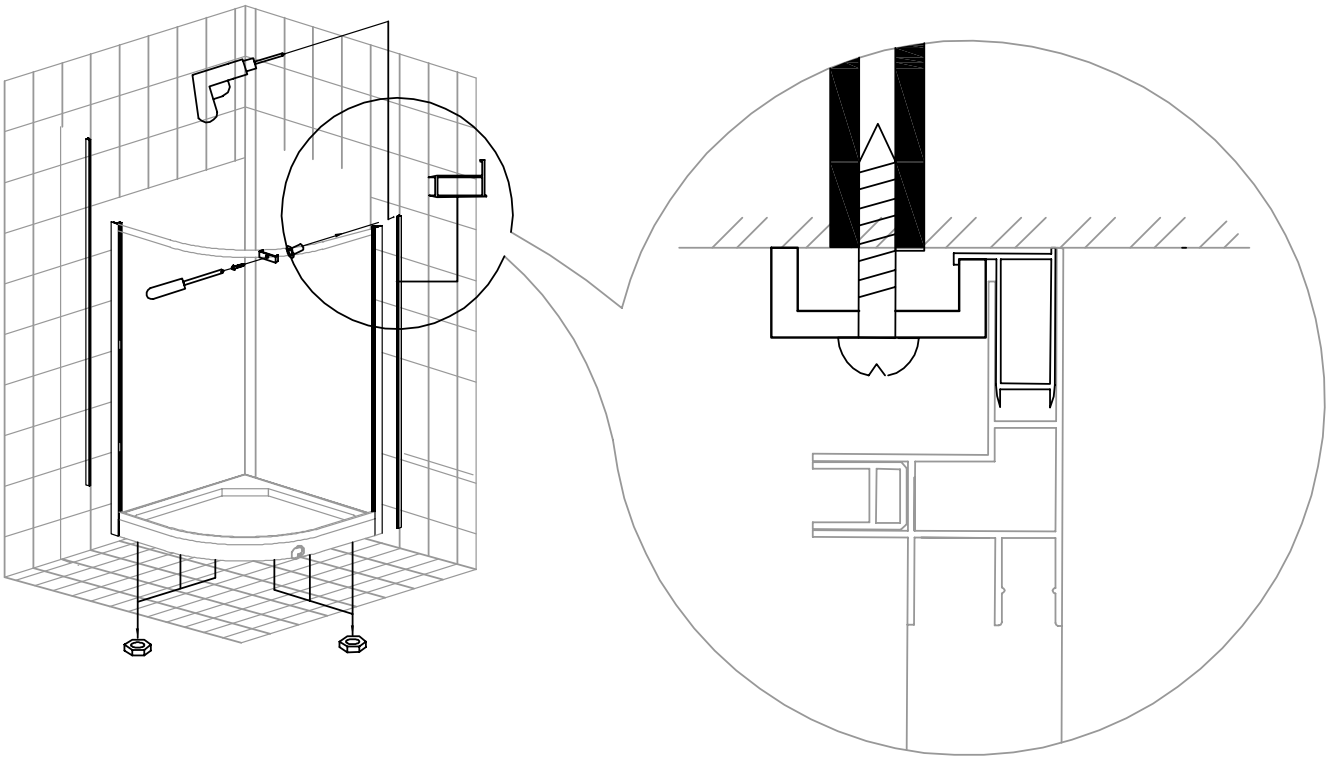
8. Install middle back panel.



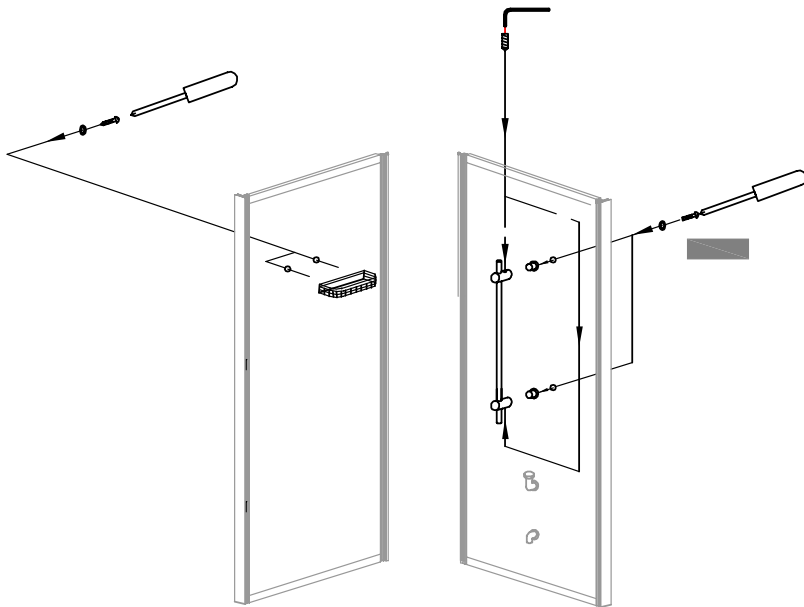
5. Install the side back walls.



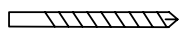
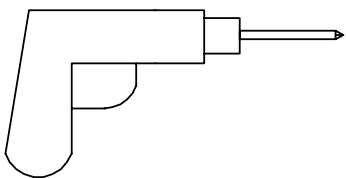
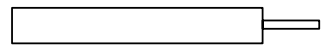
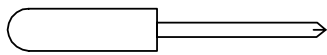
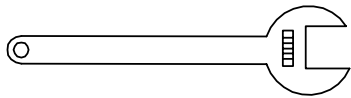
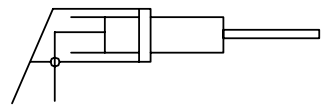
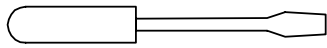
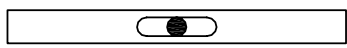
6. Install fixed glass door.



3. Fix the built-in aluminum profile of the door frame to the wall.



4. Install the shower bar and shampoo holder.



Tools