

HY-1X42

Sit-In Tub

FEATURES

- ❖ Factory tested
- ❖ Universal Tub
- ❖ 17" High Molded Seat
- ❖ Easy Installation
- ❖ Available in Left or Right Hand
- ❖ Waterproof outward opening door with locking mechanism
- ❖ Headrest pillow
- ❖ Safety grab bars
- ❖ Front access panel
- ❖ 2" drain system
- ❖ Hand held shower (HY-1342 & 1242)
- ❖ High volume tub filler (HY-1342 & 1242)
- ❖ Heated air pump with jets (HY-1242)
- ❖ Limited Life Time Warranty on the door seal



Left Hand Model Shown

HY-1X42 Options

HY-1042	Soaking tub with no faucets or controls
HY-1242	Tub with Heated Air jets and faucet
HY-1342	Soaking tub with faucets and controls

TECHNICAL INFORMATION

- **Materials:** ABS composite acrylic with fiber glass backing
- **Dimensions:** 59 x 32 x 33 IN
- **Empty Tub Water Capacity:** 40-50 gallons

PLUMBING REQUIRMENTS

- Unit is equipped with flexible, metal braided NPT ½ inch water supply hose with NPT ½ female threaded connectors
- Need to install hot and cold shutoffs with NPT ½ male threaded nipples (not included)
- It is advised to have tub onsite before preparing drain location.

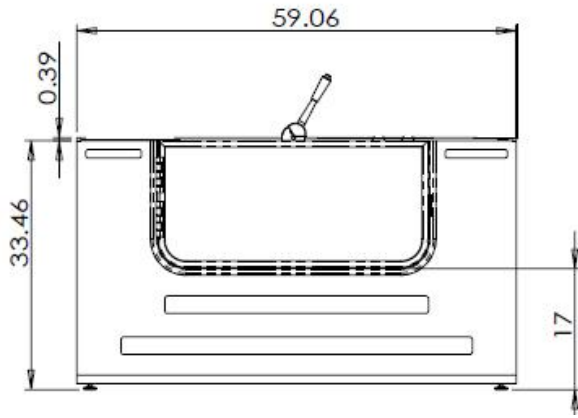
ELECTRICAL INFORMATION FOR HEATED AIR PUMP (HY 1223)

- Air jet motor with heater 110 volt
- Dedicated 12-2 wire with 110 volt, 15-20 amp GFCI breaker

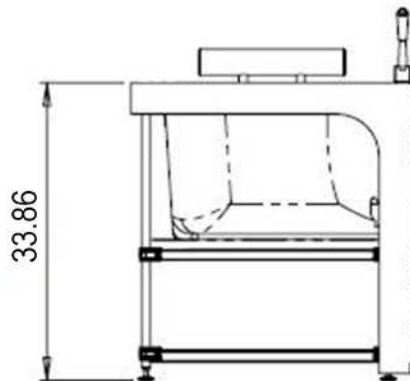
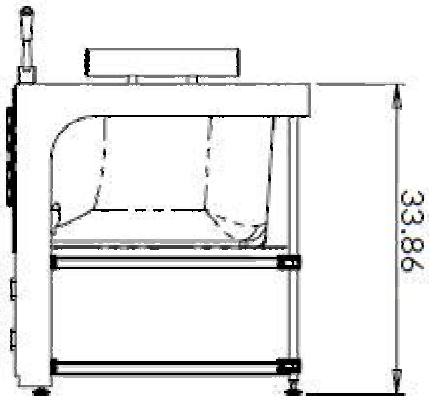
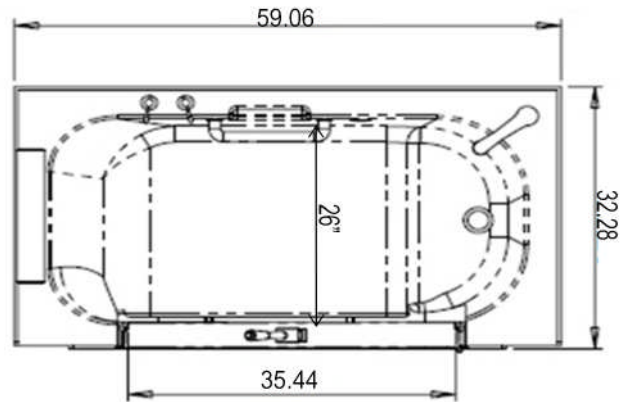
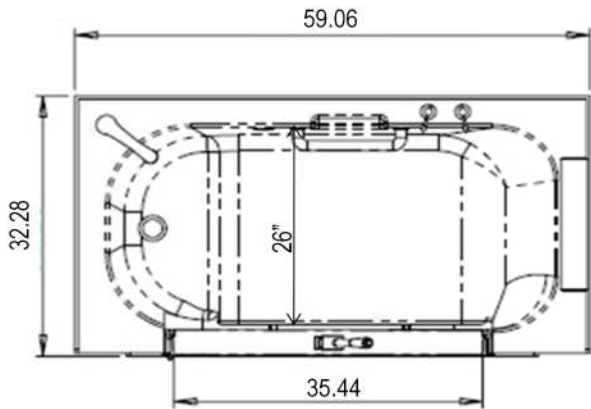
GENERAL INFORMATION

- **Note:** It is advised to have the tub onsite before preparing drain location. Unit must be leveled in its permanent position and all feet must be on the ground to fully support the tub **Manufacturer reserves the right to change specs or features at anytime. Please check to confirm details. 1-866-783-2661**

HY-1342-Left



HY-1342-Right



Assembly Steps

