

WS-109

FEATURES



Right model as shown

- ❖ Factory tested
- ❖ Corner Unit
- ❖ Left/Right Models Available
- ❖ Polished Aluminum Trim
- ❖ Black Tempered glass walls
- ❖ Swinging door
- ❖ FM Radio
- ❖ MP3 & iPod Transmitter
- ❖ Steam Aromatherapy Cup
- ❖ Accessory Rack
- ❖ Body Massage Jets
- ❖ Rainfall Shower
- ❖ Thermostatic Faucet
- ❖ Waterproof Oak Shower Grid & Bench
- ❖ Hand-held Shower w/ Height-adjustable Bracket
- ❖ Touch Glass Control Panel
- ❖ Circulation Fan
- ❖ Chromotherapy/LED Color Lighting
- ❖ 3kW Self-Cleaning Steam Generator
- ❖ Pressure Balance Valve (optional extra)

TECHNICAL INFORMATION

- **Materials:** Aluminum, Tempered Glass
- **Power Supply:** 220V
- **Steam Ready:** 2-5 MIN
- **Dimensions:** 48 x 36 x 88 IN

ELECTRICAL INFORMATION

- 1 dedicated 12-2 wire with 20 amp GFCI breaker

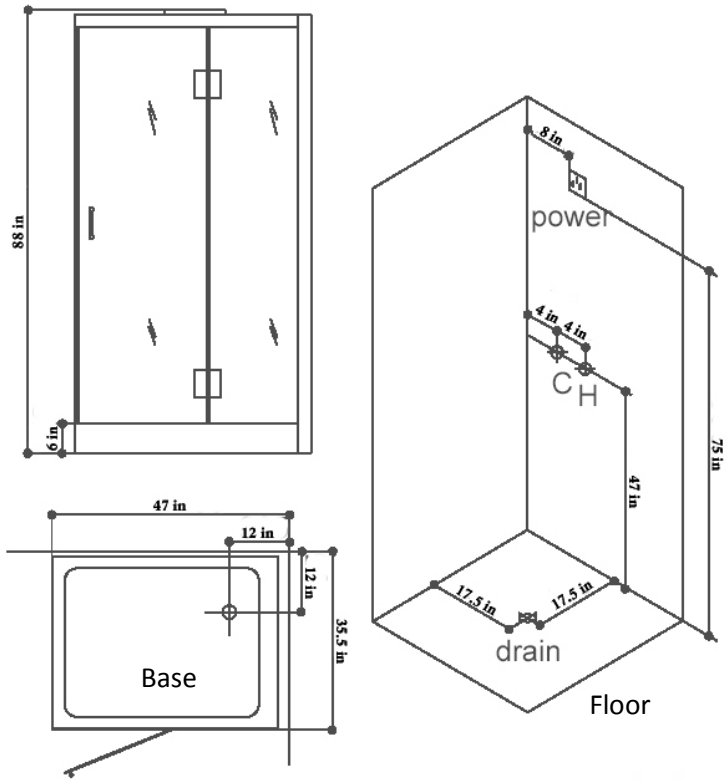
PLUMBING REQUIRMENTS

- The unit is equipped with hot and cold, metal braided 1/2 inch water supply hose with 1/2 national pipe thread.
- Need to install hot and cold shutoffs with 1/2 -male national pipe thread (not included).
- Supply hoses are to connect from the faucet manifold on the unit to the shutoff valves.
- All water jet features are pre plumbed with reinforced braided flexible supply hose
- All fixtures and fittings must be checked for tightness as they may have been loosened during transport
- **Note:** The flexible drain hose included with this unit is for installation into a floor drain only. Substituting the existing drain setup for a setup of the installers' choice will not void the warranty of the unit as long as there is no evidence of misuse or damage to the base. If the substitute drain system is used, a 3/8 in stub must be added to the main shower drain line to connect the steam generator's automatic flushing drainage hose.
Please call the manufacturer for updated drain info 1-866-STEAM-61

GENERAL INFORMATION

- Units come broken down in panels and are assembled with screws, nuts and bolts on site.
- **Note:** All shower bases need to be leveled in its final resting position(all feet must be touching the ground), mark the placement, then pull base out and begin assembly. It is advised to have base onsite before preparing drain location.
- Access panel near jets and controls is advised.
- **Manufacturer reserves the right to change specs or features at anytime. Please check to confirm details. 1-866-783-2661**

RIGHT UNIT



LEFT UNIT

